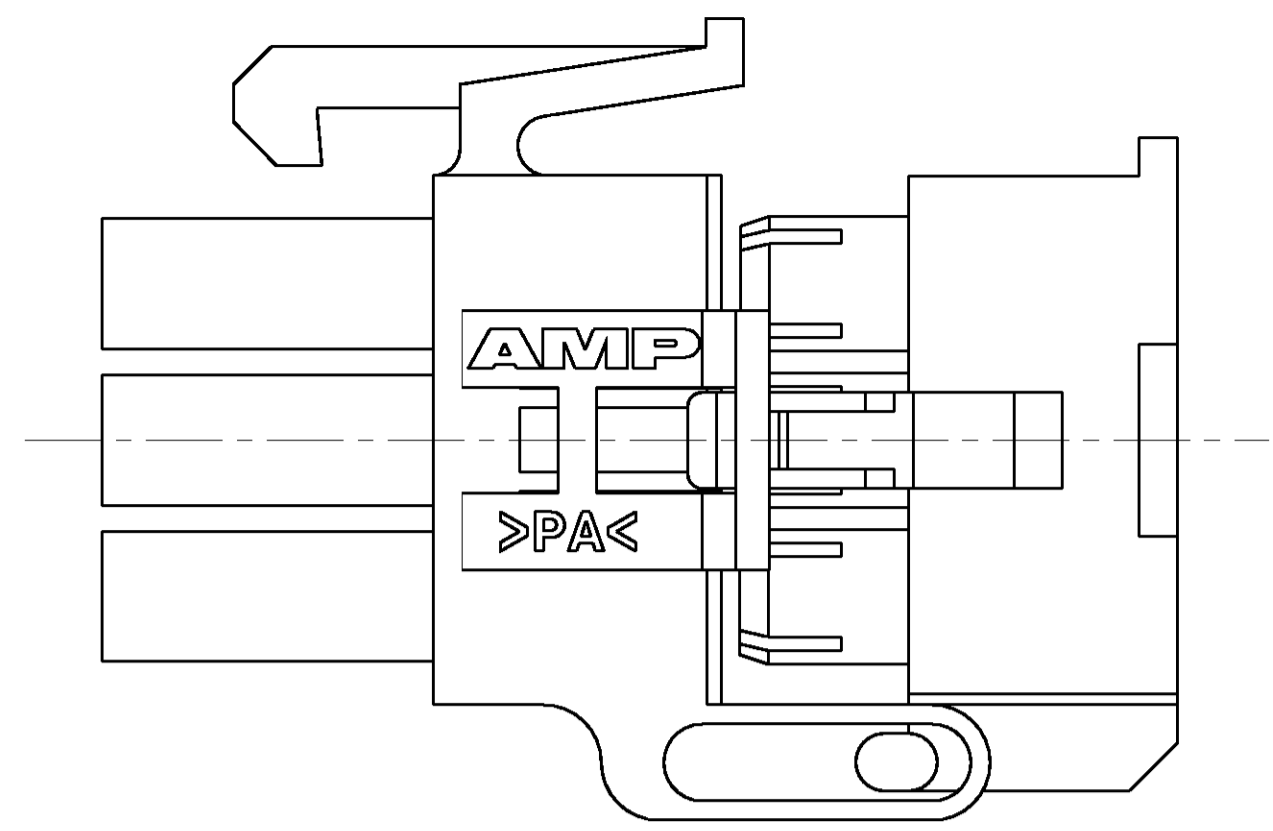
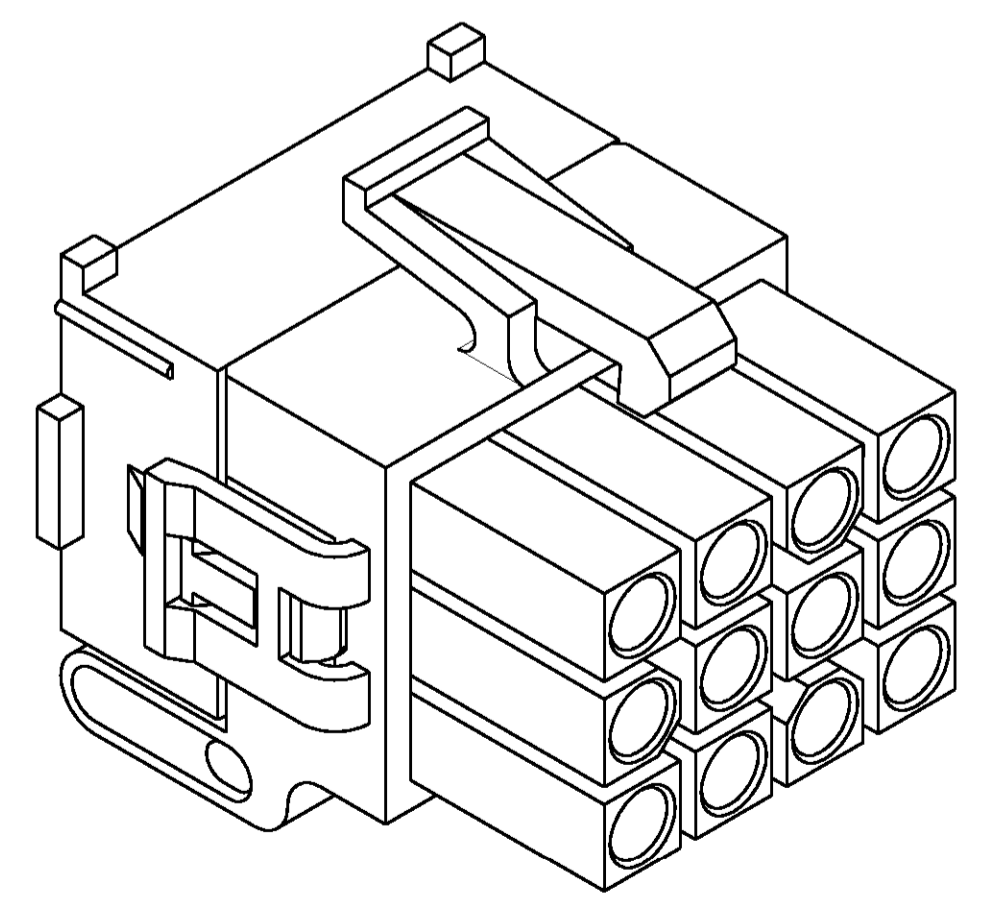
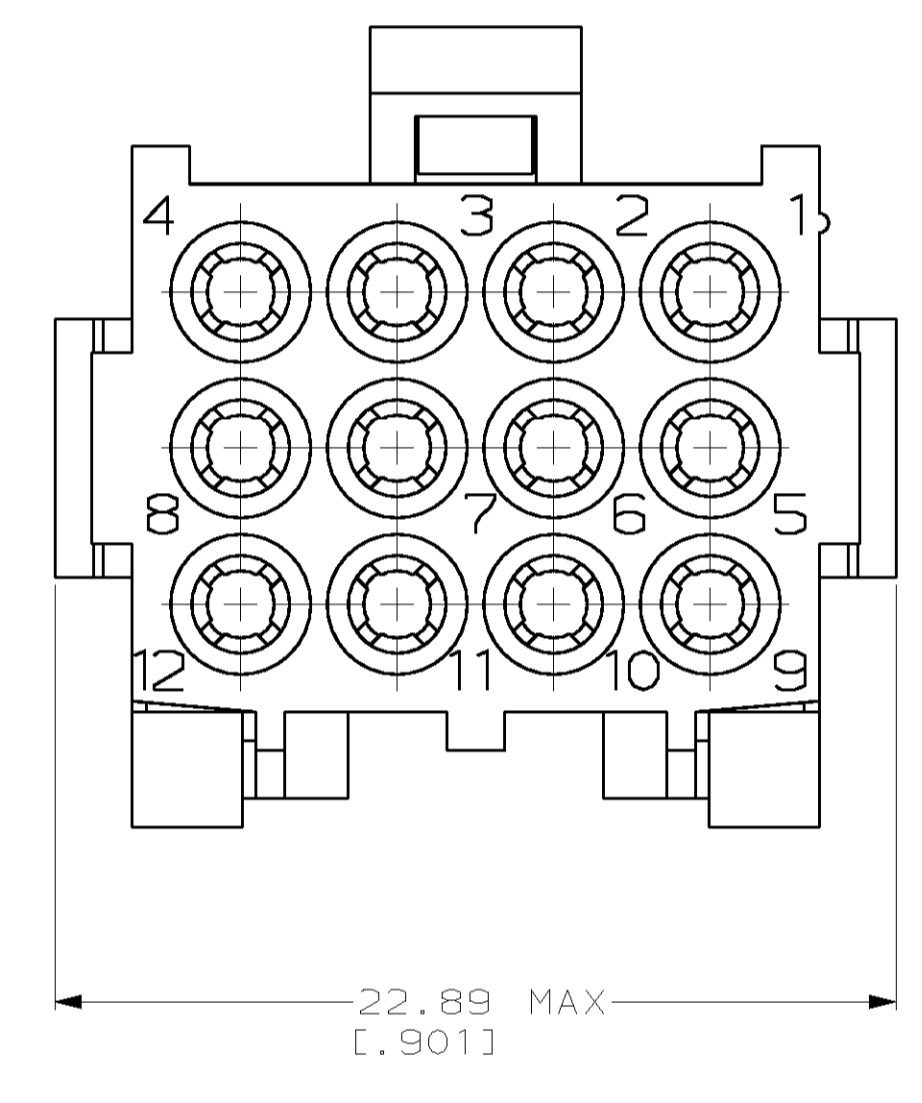
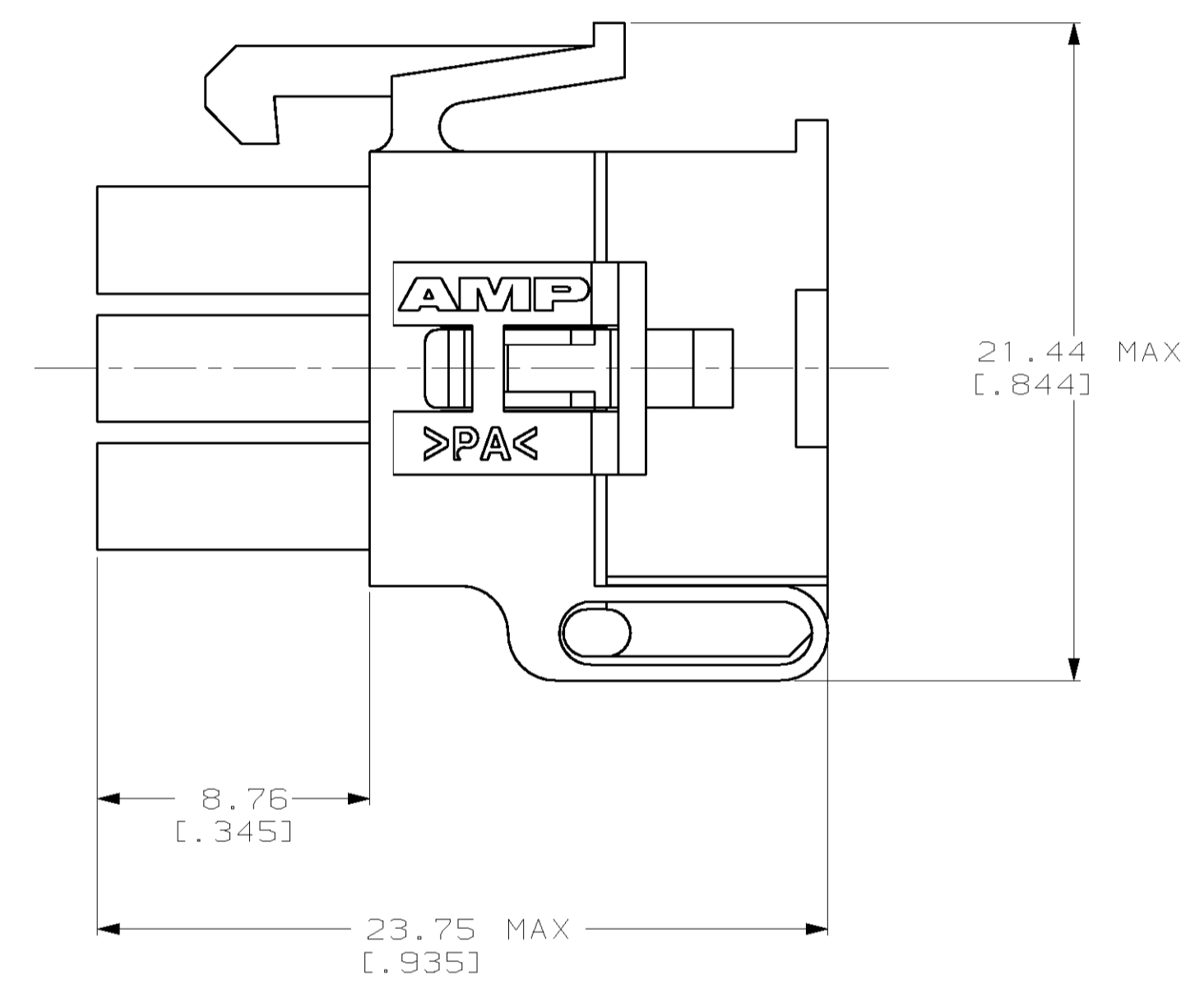
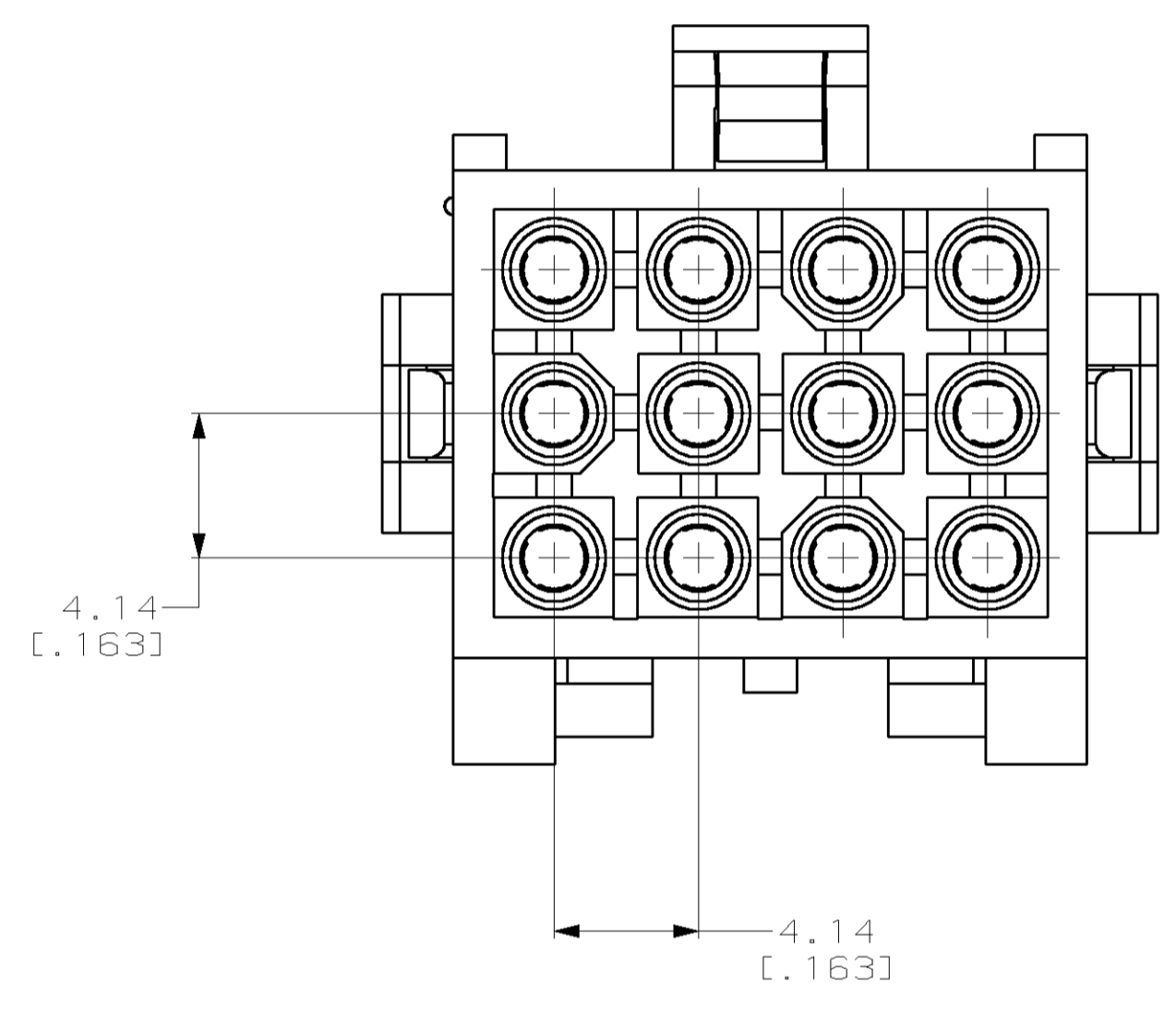


REV. NO.		REVISIONS				
LOC	DIST	REV	DESCRIPTION	DATE	BY	APPROV
CM	53	B	REV PER EC 061B-0094-99	23-SEP-99	KW	KC



PRE-STAGED CONDITION

1. DIMENSIONS IN BRACKETS ARE IN INCHES.



3-DIMENSIONAL MODEL
NTS

794253-1
PART NUMBER

METRIC

THIS DRAWING IS A CONTROLLED DOCUMENT.		DWN K. WHITAKER 5-15-97	AMP AMP Incorporated Harrisburg, PA 17105-3608
DIMENSIONS:		CHK R. SWING 5-15-97	
mm	TOLERANCES UNLESS OTHERWISE SPECIFIED:	APPROV S. ORSTAD 5-15-97	NAME PLUG, 12 CIRCUIT, MATRIX, MINI UNIVERSAL MATE-N-LOK™ 2
0 PLC	±	PRODUCT SPEC	SIZE A1
1 PLC	±	APPLICATION SPEC	CAGE CODE 00779
2 PLC	±0.13 [0.005]	RESTRICTED TO	DRAWING NO 794253
3 PLC	±	WEIGHT	SCALE 5:1
4 PLC	±	CUSTOMER DRAWING	SHEET 1 OF 1
ANGLES	±		REV B
	±0°30'		